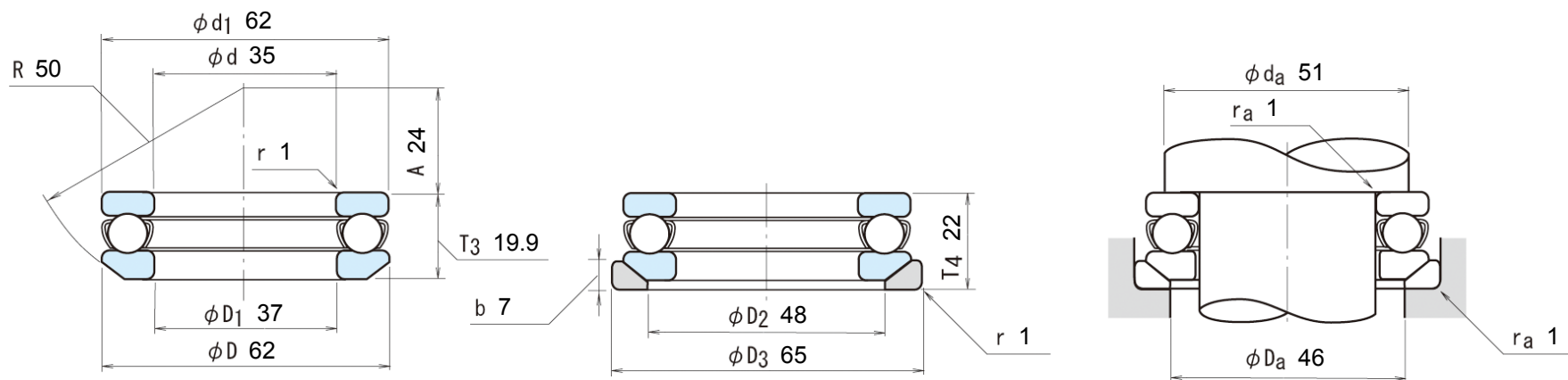


Thrust Bearings

└ Single-Direction Thrust Ball Bearings

└ With Aligning Seat Washer

Boundary Dimensions (mm)						Basic Load Ratings (kN)		Limiting Speeds (min <sup>-1</sup> )		Bearing Numbers	NSKHPS
<i>d</i>	<i>D</i>	<i>T</i>	<i>T</i> <sub>3</sub>	<i>T</i> <sub>4</sub>	<i>r</i> min.	<i>C</i> <sub>a</sub>	<i>C</i> <sub>0a</sub>	Grease	Oil		
35	62	-	19.9	22	1	39.5	78	3000	4500	53207U	



Mass (kg) approx.
0.292